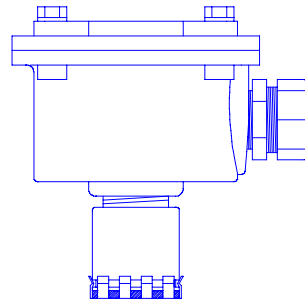


AMBIENT H₂S

The H₂S sensors are electrochemical cells. These cells are designed for long life, stability and wide temperature range. The cell provides a high speed response to H₂S and is not affected by interference gases and does not need any user attention. Three are provided for the drill floor, bell nipple and shaker header box. The sensor has lower detectable limits of 1 PPM and a full scale of 100 PPM; the accuracy is 1 PPM. Drift is less than one percent for a one week period. The sensor has a 4-20 ma output.



H₂S Combustibles