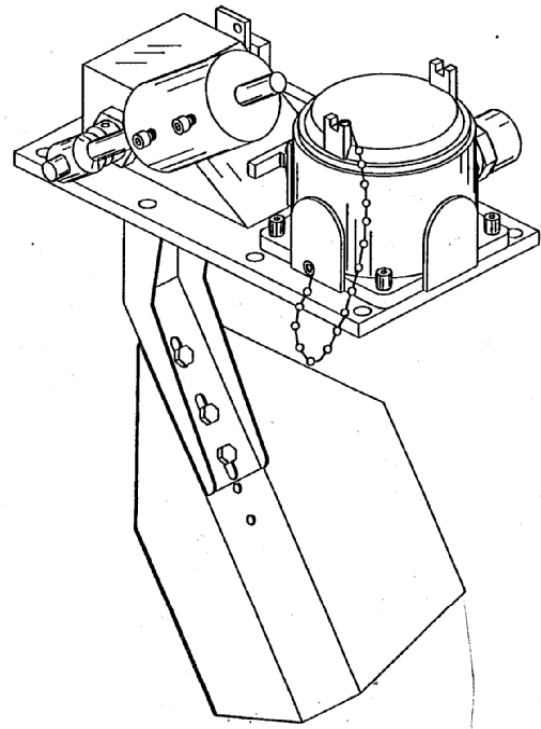


TITLE: RETURN FLOW SENSOR

DEPARTMENT: TECHNICAL SUPPORT

DESCRIPTION:

The return flow sensor is located in the return flow line, or ditch. This may be an enclosed or open flow-line.



A. Standard Unit Specifications.

GENERIC DESCRIPTION: Return
Flow Sensor

BRAND (Sensor): Enersource

MODEL (Sensor): EFT-1

BRAND (Barrier) Pepperl + Fuchs

MODEL (Barrier) KFD2-PT2-Ex1

SENSOR TYPE: Paddle-Sliding Potentiometer

LOCATION: Return Mud Flow Pipe (covered or open-trough)

MEASURING RANGE: 0-10 VDC (0-100% Flow)

SENSITIVITY: 0.015 VDC (0.15% Flow)

ACCURACY: ± 0.1 VDC ($\pm 1\%$ Flow)

APPROVALS/CERTIFICATION: BAS: Intrinsically Safe EEx ia IIA

OUTPUT: Chart Recorder, DLS System, Digital Monitors

APPROVAL:

Dept. Supervisor : VICTOR SAET

Date: 22nd July 2002

Technical Committee : ALAN MORRISON

Date: 22nd July 2002